

525

Capacities/Dimensions

Snow Tank

Actual Volume	2.83 m ³	(100 cu. ft.)
Compacted	3.54 m ³	(125 cu. ft.)
Excess Water	416 L	(110 USG, 92 IMP)

Water

Ice Making	727 L	(192 USG, 160 IMP)
Wash Water	273 L	(72 USG, 60 IMP)
Total	1000 L	(264 USG, 220 IMP)

Hydraulic Oil

95 L	(25 USG, 21 IMP)
------	-------------------

Conveyor System

Horizontal System	25.4 cm	(10 in.) dia.
Vertical Auger	25.4 cm	(10 in.) dia.

Overall Length

Snow Tank Down	4.04 m	(159 in.)
Snow Tank Up	5.03 m	(198 in.)

Overall Height

Snow Tank Down	2.20 m	(87 in.)
Snow Tank Up	3.71 m	(146 in.)

Overall Width

2.13 m	(84 in.)
--------	------------

Wheelbase

1.95 m	(77in.)
--------	-----------

Wheel Track

1.37 m	(54 in.)
--------	------------

Turning Radius

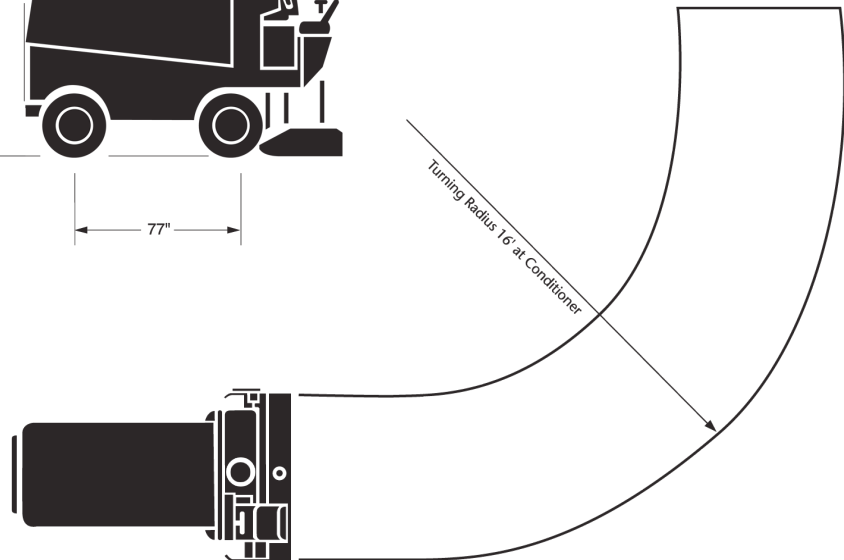
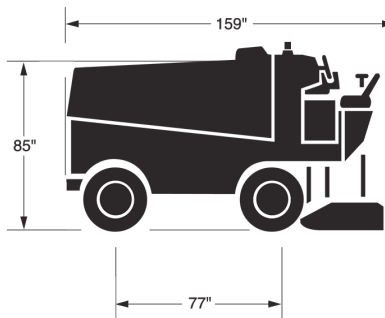
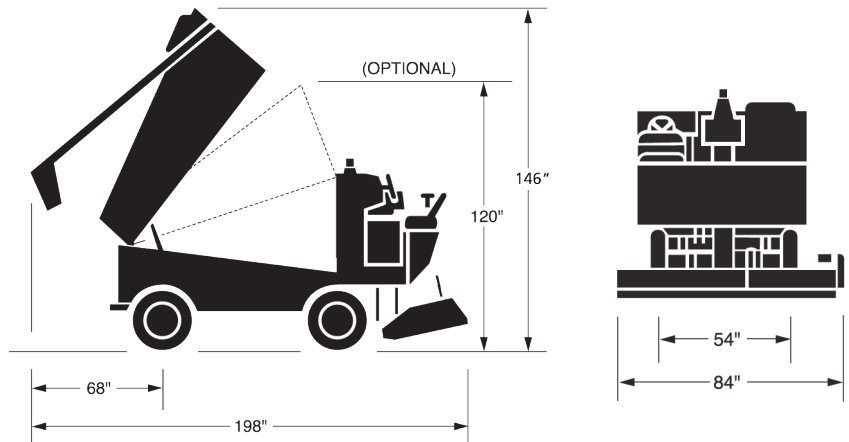
At Conditioner	4.86 m	(16 ft.)
----------------	--------	------------

Shaving Blade

1.27 x 12.7 x 195.6 cm
1/2 in. x 5 in. x 77 in.

Vehicle Weight

Empty	3143 kg	(6930 lb.)
w/Water	4240 kg	(9530 lb.)



Electric Controls Specifications / Features

GM 3.0 litre. 65 HP @ 2500 RPM NET.

Powerful and efficient.

Load sensing electronic governor enables true "hands-free" operation by driver.

This brochure has been prepared only as a general guide for the customer. Every effort has been made to assure that the information is correct at the time of its printing. Some features described or shown may be optional at extra cost and prices, colors, materials, specifications and models are subject to change. Some options are required in combination with other options. ZAMBONI and the configuration of the Zamboni® ice resurfacing machine are registered trademarks of Frank J. Zamboni & Co., Inc. ©Zamboni 2013.

This brochure is a PDF internet version posted on our website for reference only. The Zamboni Company assumes no responsibility for its content or use. For product and sales information, please contact the Zamboni Company.

ZAMBONI®

Zamboni USA

Frank J. Zamboni & Co., Inc.
15714 Colorado Ave., Paramount, CA USA 90723-4211
Phone (562) 633-0751 Fax (562) 633-9365

Zamboni Canada / Europe

Zamboni Company Ltd.
38 Morton Ave. East, Box 1388, Brantford, ON Canada N3T 5T6
Phone (519) 758-5000 Fax (519) 758-0500

www.zamboni.com

