

OUR H SERIES

ENGLISH

DATASHEET

The H series covers diameters from 200 mm up to 742 mm. As with all Multi-Wing impellers, the H series is designed to have high efficiency and low noise level and to be corrosion resistant. It is robust yet light-weight resulting in less wear and stress on motors and bearings.

Its compact but solid design is well suited for a variety of applications. For engine and compressor cooling this impeller type offers a flexible solution that will meet all dimensioning criteria - especially when noise levels are critical. Type H is also applicable to agricultural ventilation, which calls for high performance at low static pressure. For cooling applications, this type is often used in evaporators and in smaller condensers.

DESIGN FEATURES

- 4 fan blades of different designs and sizes with fixed pitch setting.
- 6 standard pitch angles ranging from 25° to 50° with 5° increment.
- Fan blades for both clockwise and counter-clockwise rotation.
- 5 hub sizes (6, 8, 10, 12 & 14 blades all symmetrically arranged), each available in a range of bore/fixing configurations.

MATERIALS

The hub parts are as standard manufactured in a pressure die cast silumin alloy (EN AC-Al Si12Cu1(Fe)). The 6 and 8-blade hubs are also available in a version manufactured in glass reinforced polypropylene (PPG). The fan blades are available in the following 6 materials to suit applications with different speeds and ambient temperatures.

PPG Glass reinforced polypropylene

Temperature range: -10°C to +80°C

Please observe penalty factors for temperatures above 40°C.

PAG Glass reinforced polyamide

Temperature range: -40°C to +110°C

Please observe penalty factors for temperatures above 40°C.

PAGI Glass reinforced polyamide, industrial quality

Temperature range: -40°C to +110°C

Please observe penalty factors for temperatures above 40°C.

PAGAS Anti static glass reinforced polyamide

- For explosion proof working conditions

Temperature range: -40°C to +110°C

Please observe penalty factors for temperatures above 40°C.

PAGST Vibration stabilised glass reinforced polyamide

Temperature range: -40°C to +110°C

Please observe penalty factors for temperatures above 40°C.

AL Aluminium

Temperature range: -40°C to +150°C

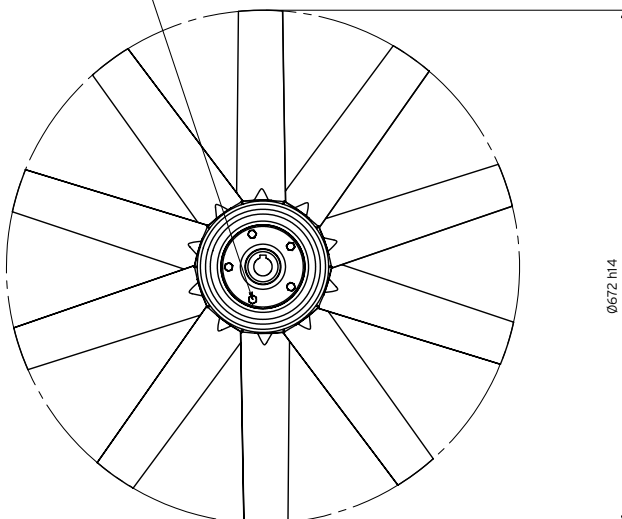
Standard alloy for the fan blades is (EN AC-Al Si12Cu1(Fe)).

Please observe penalty factors for temperatures above 150°C.

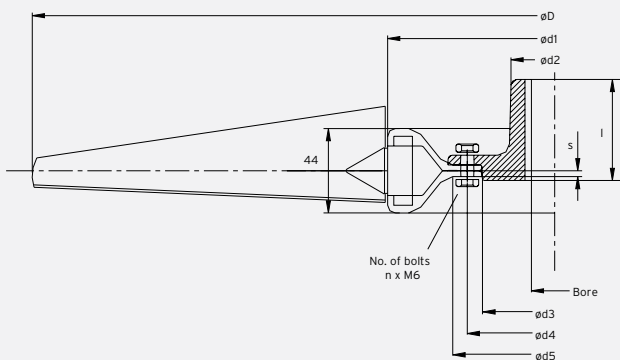
We reserve the right to change the materials of manufacture.

The values for the mechanical properties are mean values and can be subject to variations due to the use of different suppliers.

5 Bolts @ M6x20 8.8/zinc BC 90



ø D max. for blade type:				Pos. in hub No.	ø Bore Min. - Max.	Hub							
1H	2H	3H	6H			l	d1	d2	d3	d4	d5	s	n
419	411	597	597	6	7,5 - 9,0	31	97	26	25	41	0	3	3
419	411	597	597	6	9,5 - 16,0	31	97	26	25	41	0	3	3
419	411	597	597	6	10,5 - 19,0	41	97	34	25	41	0	3	3
456	448	634	634	8	9,5 - 17,0	31	134	28	40	56	65	3	4
456	448	634	634	8	12,5 - 21,0	42	134	35	40	56	65	3	4
456	448	634	634	8	17,0 - 25,0	52	134	41	40	56	65	3	4
456	448	634	634	8	13,0 - 25,0	60	134	41	40	56	65	3	4
494	486	672	672	10	Universal Boss (UB)	172	Universal Boss (UB)				100	3,5	UB
528	520	706	706	12		206	Universal Boss (UB)				142	4	
564	556	742	742	14		242	Universal Boss (UB)				172	4	



Universal Boss (UB)						
ø Bore Min. - Max.	Hub					
	l	d2	d3	d4		n
9,5 - 15,0	31	28	75	90		5
12,5 - 22,0	42	40	75	90		5
22,0 - 25,0	52	45	75	90		5
22,0 - 28,0	62	51	75	90		5
27,0 - 40,0	62	73	75	90		5
27,0 - 40,0	82	73	75	90		5
40,0 - 48,0	112	90	75	90		10

All dimensions are in mm. Small variations in max. diameters may occur due to different materials and casting tools.

Above are dimensions for standard solutions. Other more customised solutions are also available from stock. Visit multi-wing.com/hseries for more details.

